



# VERSE

## X:SIDER series



TECHNICAL OUTLINE



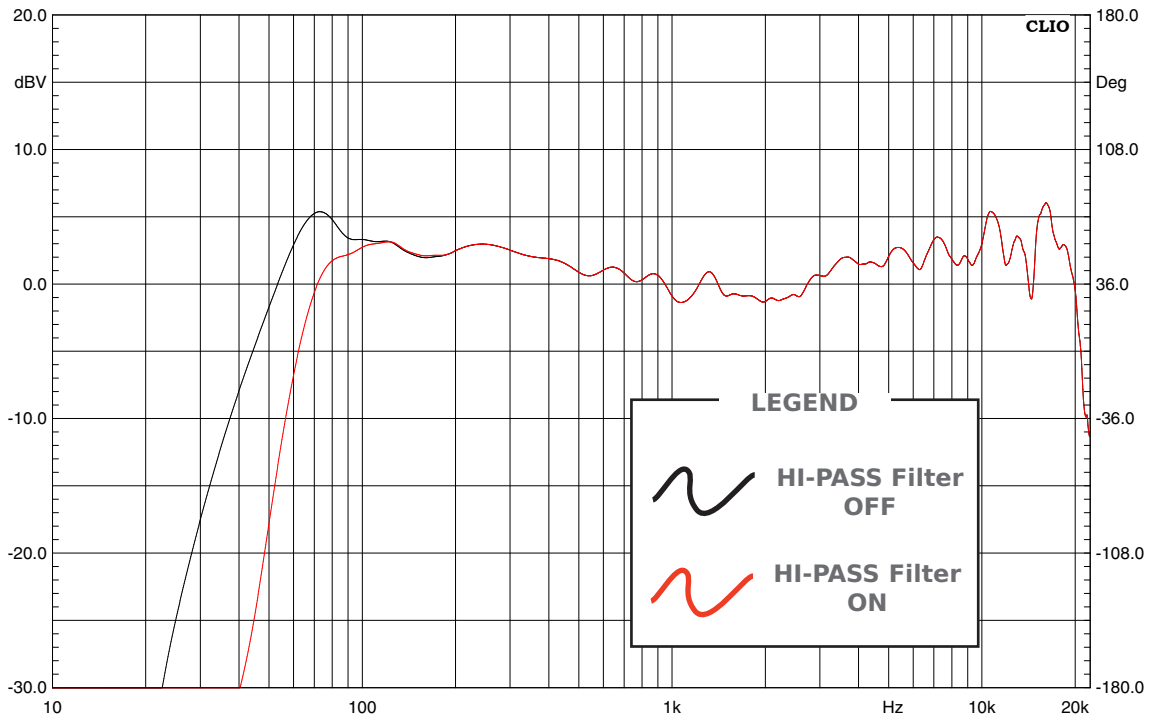
# TECHNICAL SPECIFICATIONS

SPEAKER	X:SIDER 15	X:SUB 218
Frequency Range	53Hz - 20Khz	35Hz - 110Hz
Max SPL (calculated)	128dB (cont.), 134dB (peak)	138dB (cont.), 144dB (peak)
Dispersion Angle (VxH)	60°x40° (1 enclosure), 60°x76° (2 enclosures), 60°x116° (3 enclosures)	N/A
<b>WOOFER</b>		
Nominal Diameter	15"	2 x 18"
Sensitivity (1W/1m)	98 dB	98 dB each one
Impedance	8 Ohm	2x16 Ohm in parallel
Continuous Power Handling	1600 Watt	2 x 2400 Watt
Magnet	neodymium	neodymium
Voice Coil	4" aluminium	4" copper
Former	glass fibre	glass fibre
<b>TWEETER</b>		
Throat Diameter	1.5"	N/A
Sensitivity (1W/1m)	108 dB	N/A
Impedance	16 Ohm	N/A
Continuous Power Handling	160 Watt	N/A
Magnet	ceramic	N/A
Voice Coil	3" aluminium	N/A
Diaphragm	titanium	N/A
Protections	HP filter 6 dB/oct, PTC	N/A
<b>CONSTRUCTION</b>		
Cabinet	18 mm laminated birch plywood	21 mm laminated birch plywood
Finish	black scratch resistant paint	black scratch resistant paint
Protection	metal grid	metal grid
Dimensions (HxWxD)	700 x 460 x 410 mm	570 x 1300 x 700 mm
Flying system	built in suspension system	
Accessories (optional)	rigging accessory for flying two X:SIDER15, rigging accessory for flying three X:SIDER15	3 stand adaptors, removable rear dolly with casters
Weight	35 Kg	83 Kg (without removable dolly)
<b>CONNECTORS</b>		
Speakon	1 Neutrik Speakon NL4MP: 1+ Low+, 1- Low-, 2+ High+, 2- High-	1 Neutrik Speakon NL8MPR: 1+/2+ IN+, 1-/2- IN-
<b>AMPLIFIER</b>	<b>X:SIDER 15 AMP</b>	<b>X:SUB 218 AMP</b>
Output Power	2 x 1050 Watt @ 8ohm (EIAJ test - 1kHz, 1% THD) 2 x 570 Watt @ 16ohm (EIAJ test - 1kHz, 1% THD)	1 x 3400 Watt @ 8ohm (EIAJ test - 1kHz, 1% THD), bridged mode (EIAJ test - 1kHz, 1% THD)
Power Requirements	AC 195V - 250V, 50/60 Hz; I nom.=2.9A rms (1/8 max output power), AC 95V - 125V, 50/60 Hz; I nom.=5.5A rms (1/8 max output power)	AC 85V - 270V, 50/60 Hz with PFC
Consumption	410VA (1/8 max output power @ 16 ohm)	900 VA (1/8 max output power @ 8 ohm)
Damping factor	20 Hz - 1000 Hz > 200	@100 Hz > 500
Distortion	<0.5% (THD, DIM, SMPTE)	<0.5% (THD, DIM, SMPTE)
Active protective circuitry	power limiting, thermal shutdown, short-circuit / overload output protection	power limiting, thermal shutdown, short-circuit / overload output protection
<b>PREAMPLIFIER</b>		
Description	DSP based (eq., x-over, comp, delay, limit), 24 bit conversion, 48 KHz sampling	DSP based (eq., x-over, delay, limit), 24 bit conversion, 48 KHz sampling
Input sensitivity	0 dBu	0 dBu
Crossover frequency	1000 Hz	110 Hz
Subsonic filter	yes	yes
Nominal impedance	15 kOhm balanced to ground	15 kOhm balanced to ground
<b>DIMENSIONS</b>		
H x W x D	88 (2U) x 241.5 x 350 mm	88 (2U) x 483 x 350 mm
Weight	5 Kg	8.5 Kg
<b>CONTROL PANEL</b>		
Level	from -Inf to 0 Db	from -Inf to 0 Db
Controls	CLUSTER (for use side by side), H. PASS (high pass filter), USER	PHASE (for inverting phase), USER
Indication leds	1 green led = On/Off, 2 green leds = Signal on low/high, 2 red leds = Compression low/high, 2 red leds = Protection low/high, 1 red led = Temperature	1 green led = On/Off, 1 green led = Signal on, 1 red led = Compression, 1 red led = Protection, 1 red led = Temperature
<b>CONNECTORS</b>		
Connectors	1 XLR female input signal, 1 XLR male link signal, 2 RJ45 input/output RS485, 1 Neutrik Speakon NL4MP: 1+ Low+, 1- Low-, 2+ High+, 2- High-, 1 Neutrik Powercon NAC3MPA AC IN, 1 Neutrik Powercon NAC3MPB AC OUT	2 XLR female input signal left/right, 2 XLR male link signal left/right, 2 RJ45 input/output RS485, 1 Neutrik Speakon NL8MP: 1+/2+ OUT+, 1-/2- OUT-, 1 Neutrik Powercon NAC3MPA AC IN, 1 Neutrik Powercon NAC3MPB AC OUT

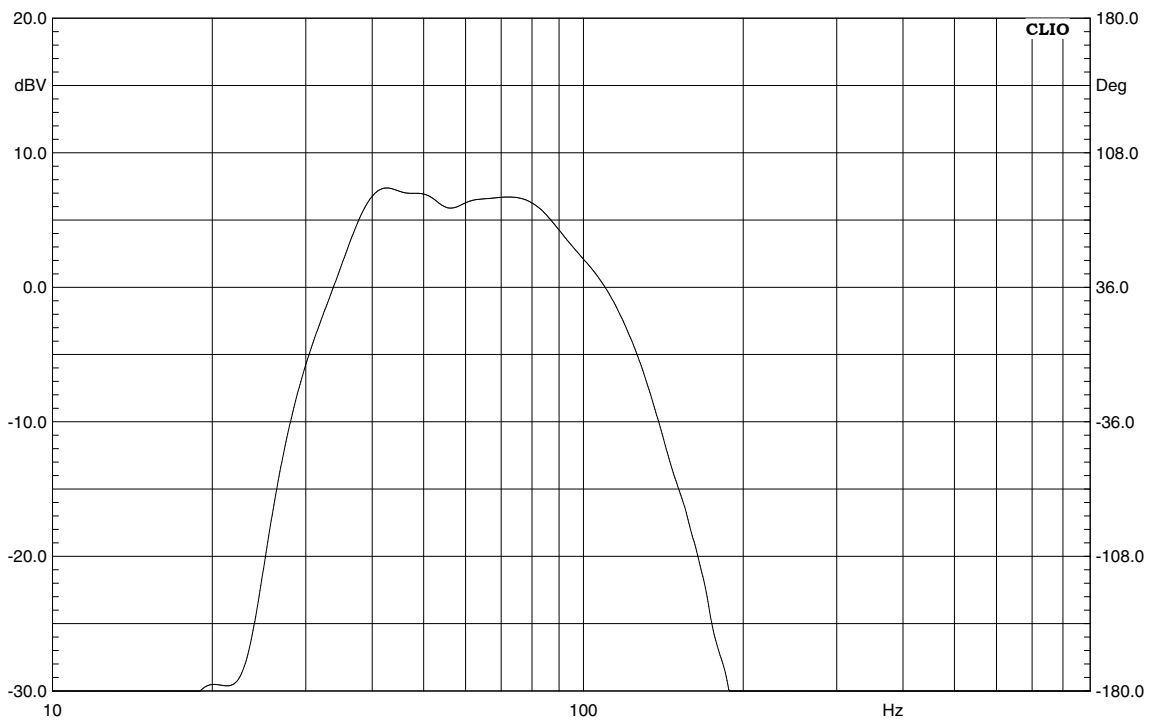


# MEASUREMENT CURVES

**Frequency Response of a X:SIDER 15 speaker [dBV]**



**Frequency response of a X:SUB 218 [dBV]**

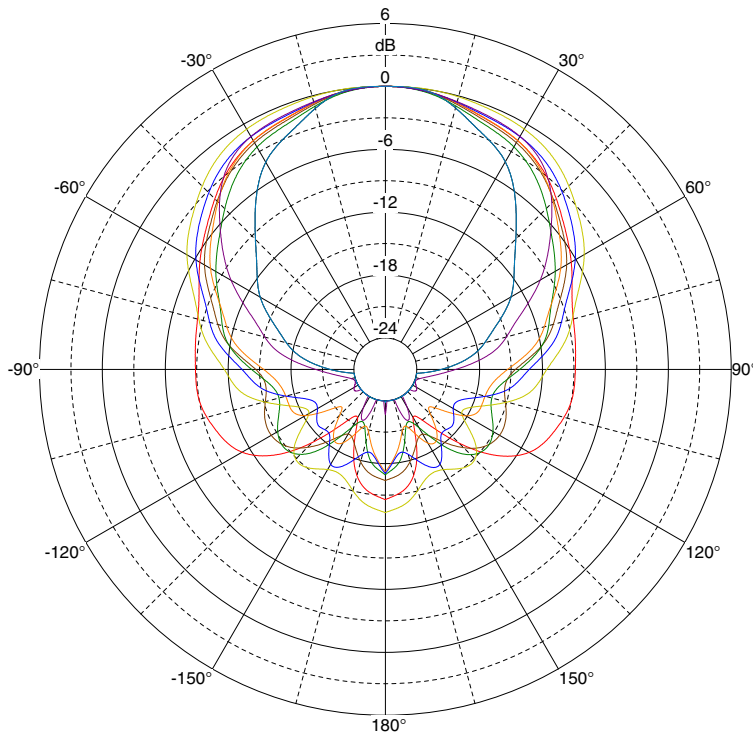




### X:SIDER 15 Low Frequency Polar Response, Third-Octave spaced

- 2500Hz
- 500Hz
- 630Hz
- 800Hz
- 1000Hz
- 1250Hz
- 1600Hz
- 2000Hz
- 2500Hz

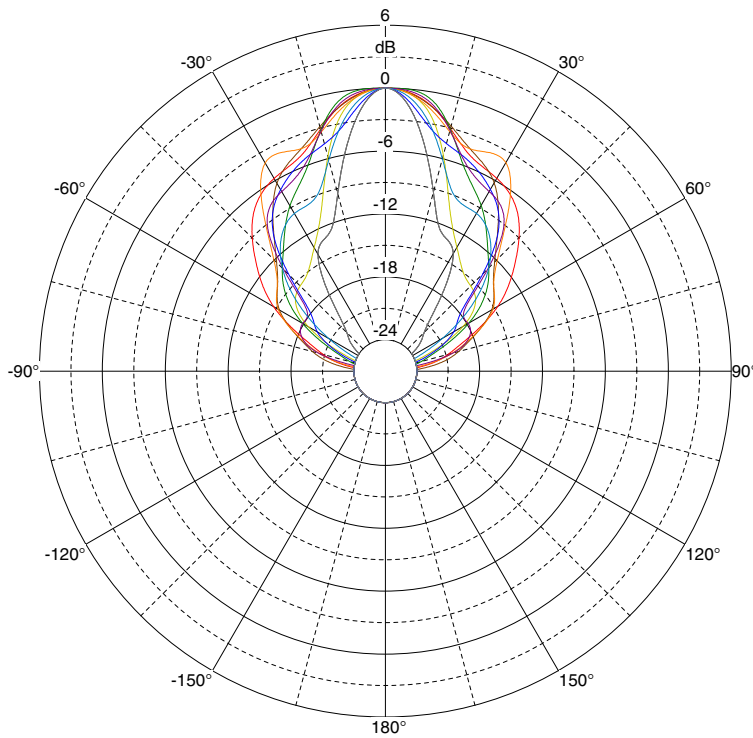
CLIO



### X:SIDER 15 High Frequency Polar Response, Third-Octave spaced

- 20000Hz
- 3150Hz
- 4000Hz
- 5000Hz
- 6300Hz
- 8000Hz
- 10000Hz
- 12500Hz
- 16000Hz
- 20000Hz

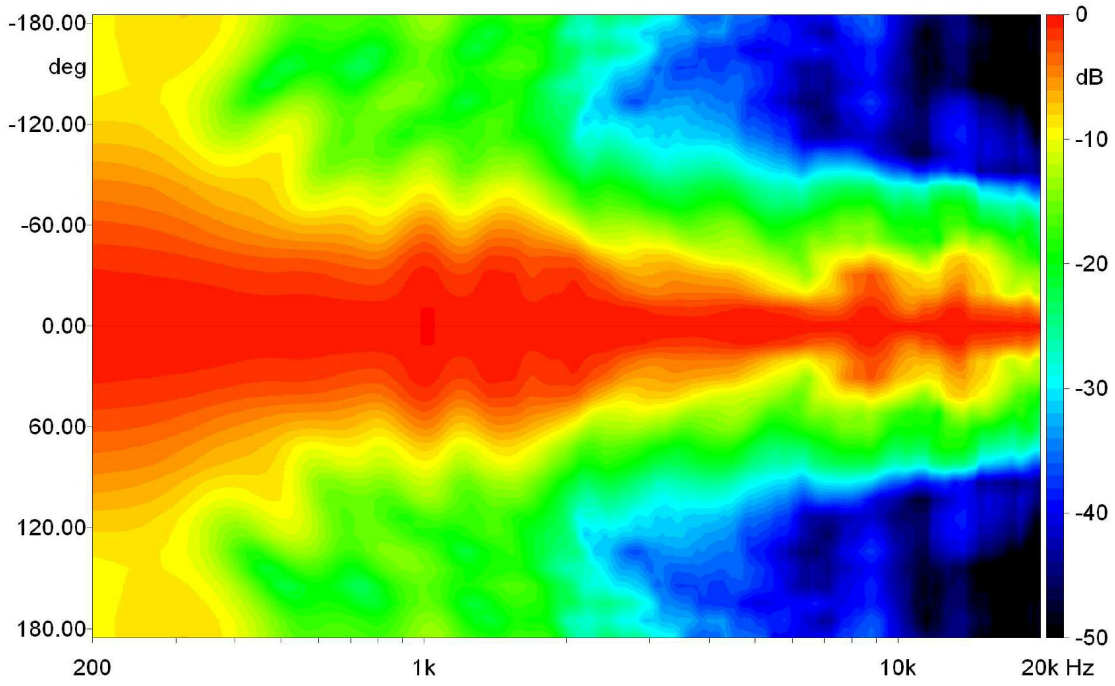
CLIO



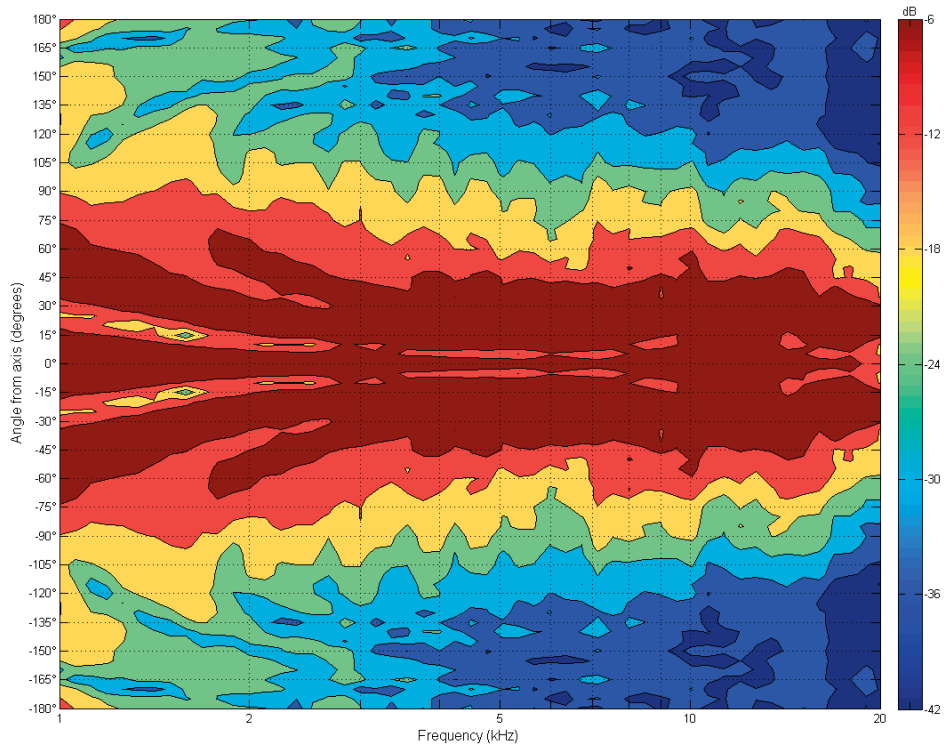




### Horizontal Directivity Map of a single X:SIDER 15

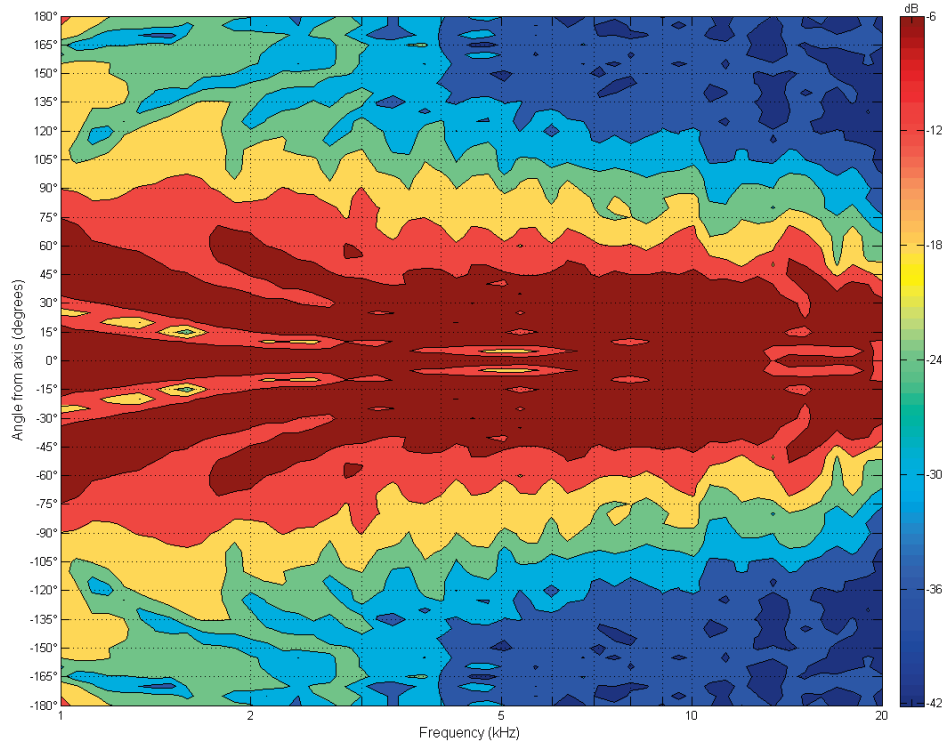


### Horizontal Directivity Map of a X:SIDER 15 2-array

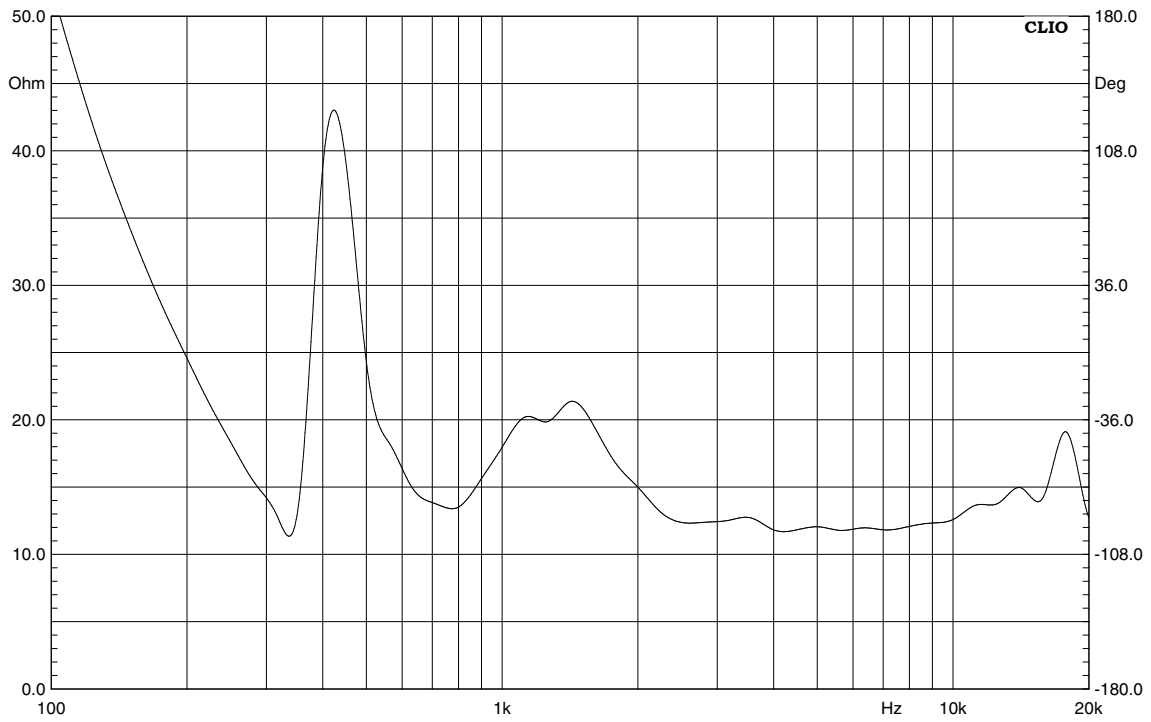




### Vertical Directivity Map of a X:SIDER 15 2-array

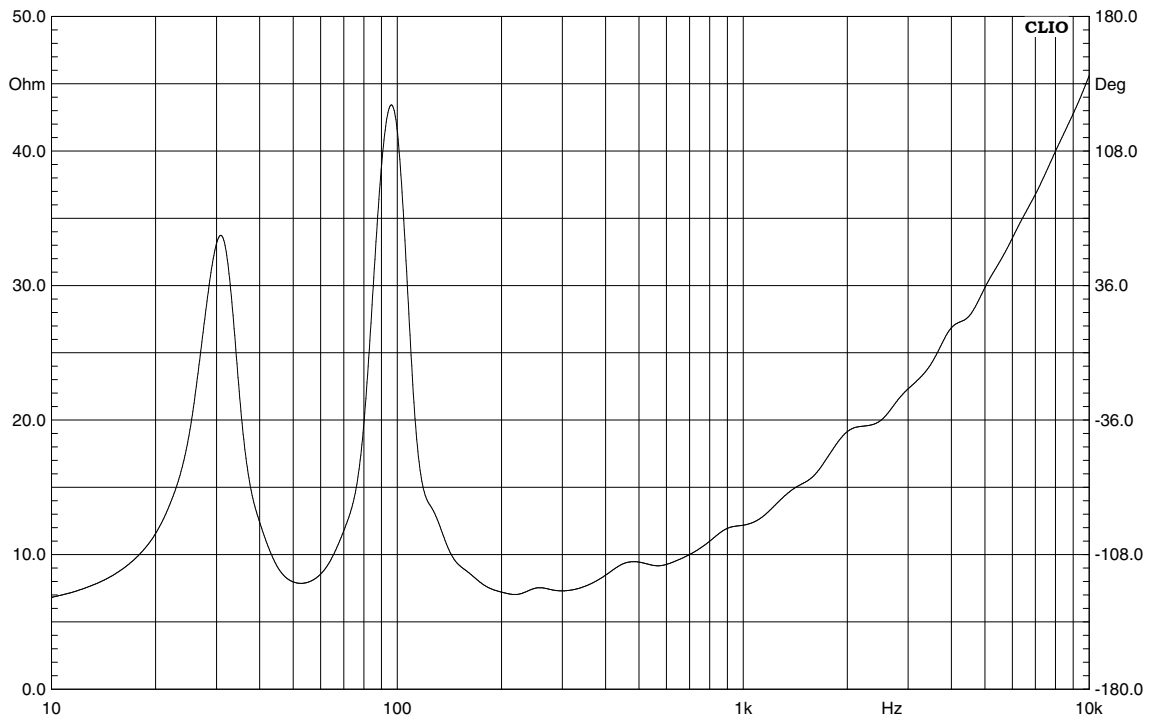


### Impedance modulus of a X:SIDER 15 driver

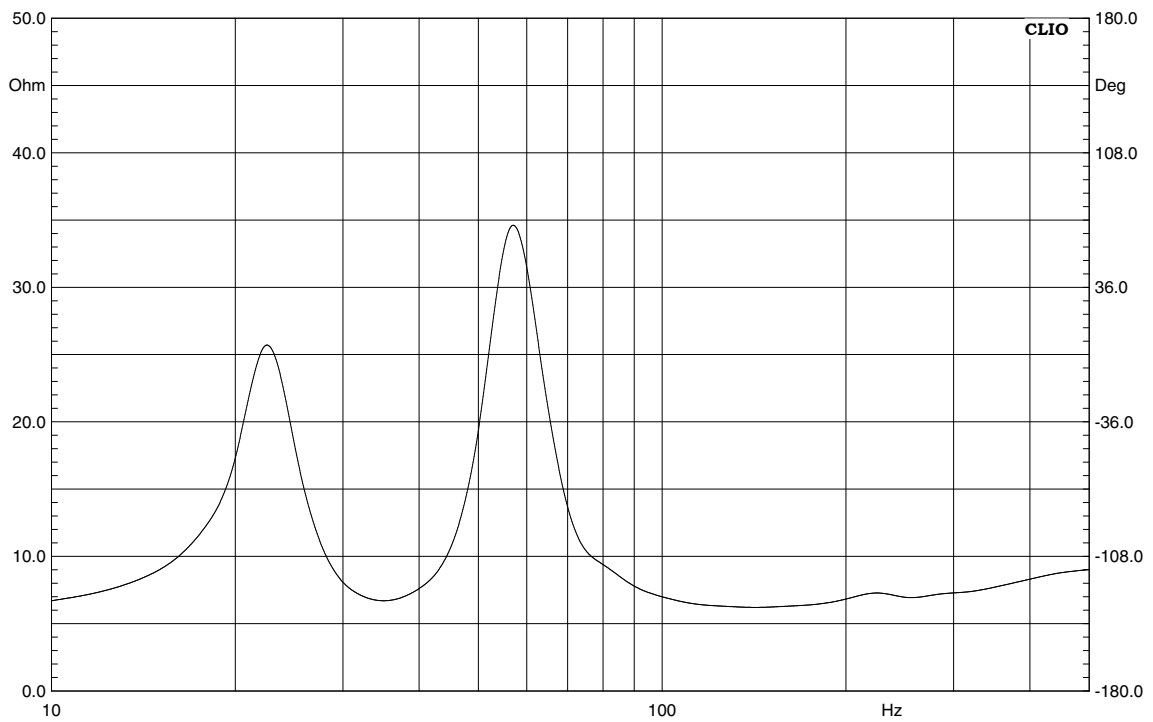




**Impedance modulus of a X:SIDER 15 woofer**



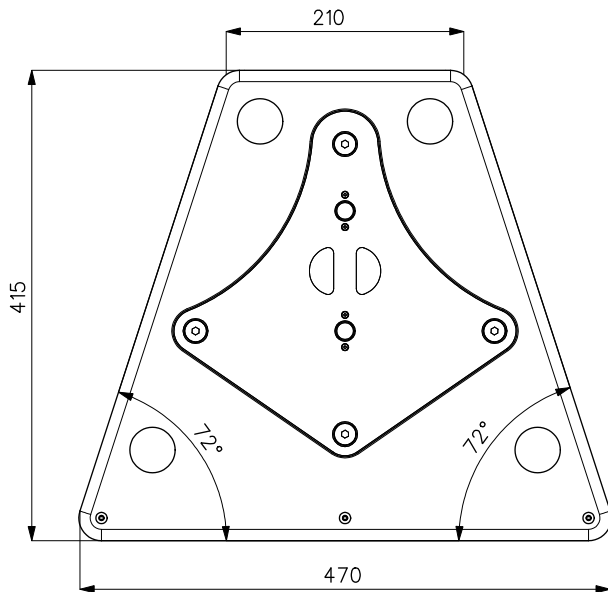
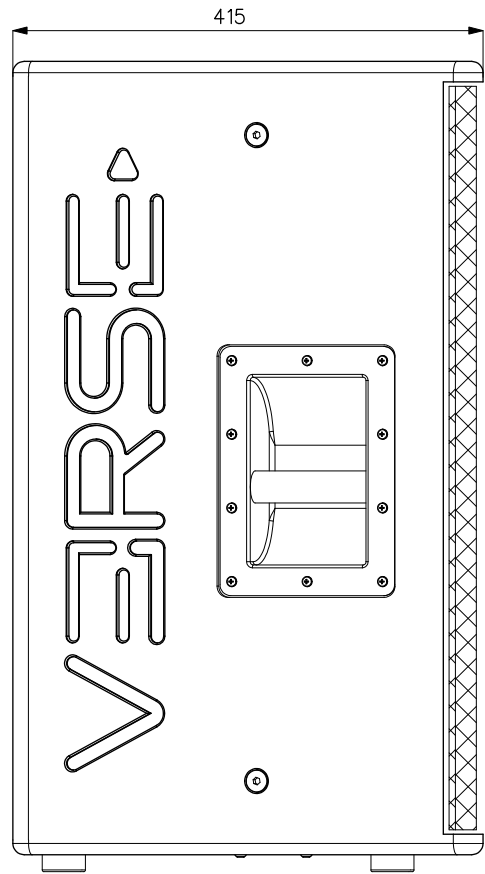
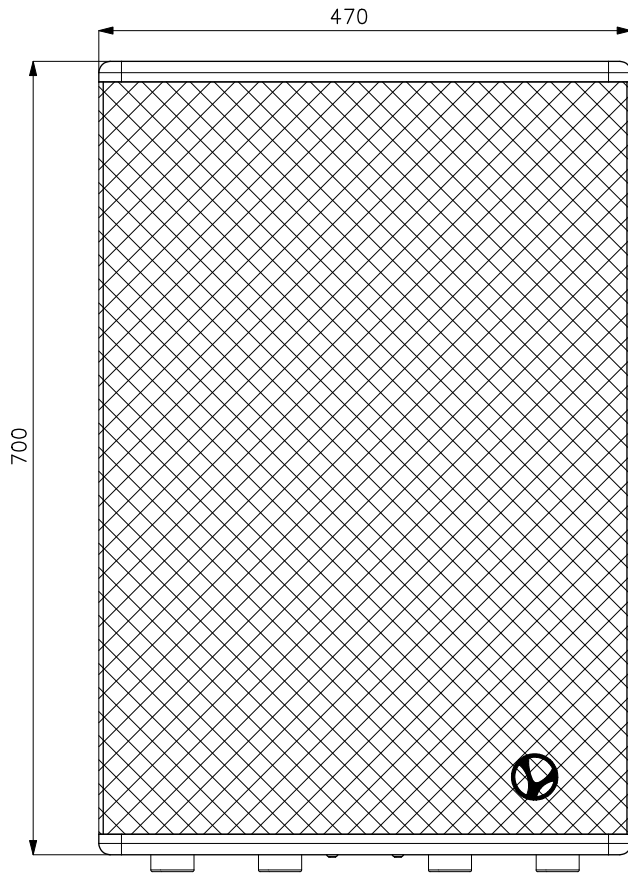
**Impedance modulus of a X:SUB 218**





# MECHANICAL DRAWINGS

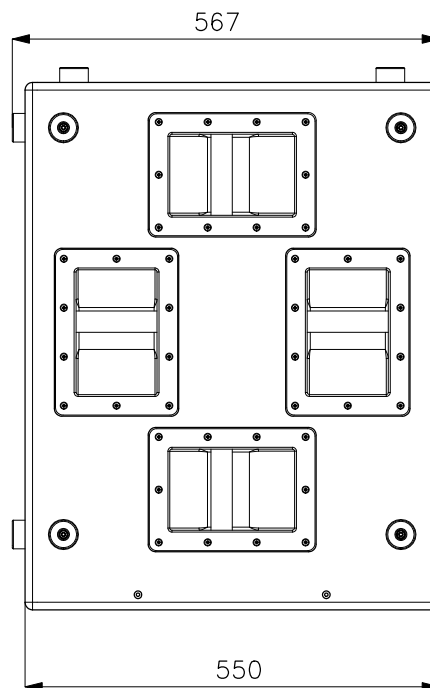
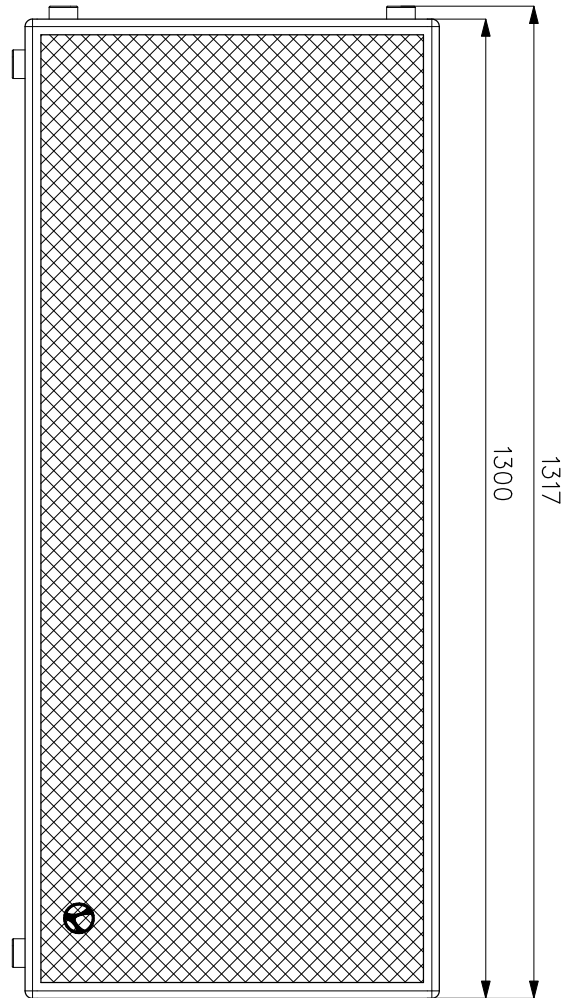
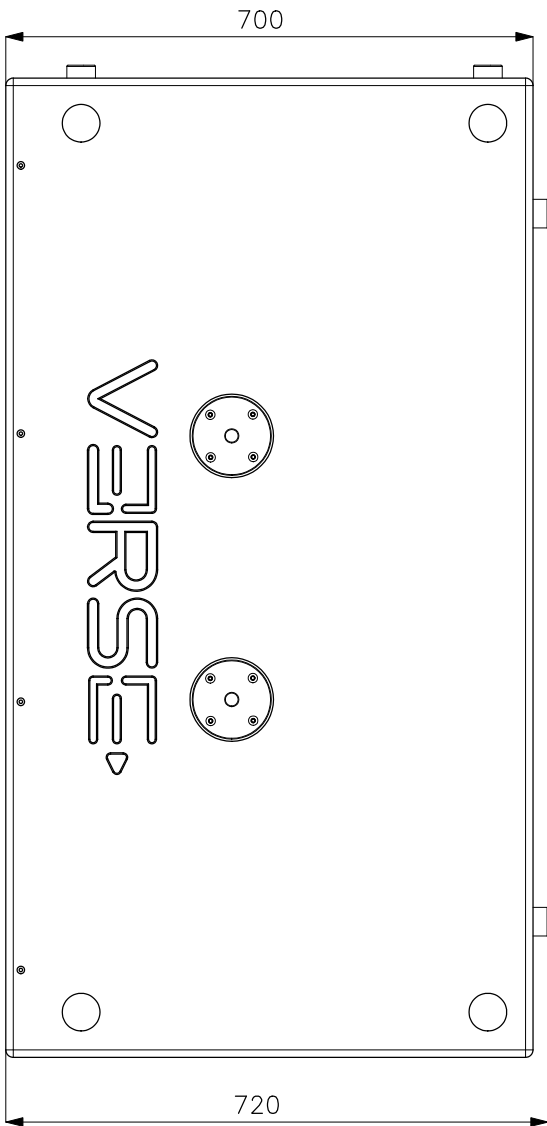
X:SIDER 15 Mechanical drawing







X:SUB 218 Mechanical drawing





# VERSE

P R O F E S S I O N A L   A U D I O

VERSE is a trademark of  
VISCOUNT INTERNATIONAL S.p.a.  
Via Belvedere Fogliense 154  
I-47836 Mondaino (RN) Italy  
Tel. +39 0541-981700  
Fax +39 0541-981052  
Website: [www.viscount.it](http://www.viscount.it)

Distribuito in Italia da  
TITAN MUSIC S.A.  
Strada Genghe di Atto, 80  
47892 Acquaviva  
Repubblica di San Marino  
Tel. 0549-999164  
Fax 0549-999490

Le informazioni contenute nel presente documento sono state redatte e controllate con attenzione. Tuttavia VISCOUNT declina ogni responsabilità in merito ad eventuali inesattezze. Tanto le informazioni contenute in questo documento, quanto le specifiche dei prodotti ai quali fa riferimento sono soggette a modifiche senza preavviso. VISCOUNT non assume alcuna responsabilità sull'uso o sull'applicazione dei prodotti descritti in questo documento. Ogni eventuale citazione di nomi, prodotti e società ha il solo scopo di illustrare l'uso dei prodotti qui descritti. Nomi, logo e marchi eventualmente riportati appartengono ai rispettivi proprietari. Tutti i diritti sono riservati e nessuna parte di questo documento può essere riprodotta in alcuna forma, in alcun modo e per alcuno scopo senza il permesso scritto di VISCOUNT

The information in this document has been drafted and checked with care. However VISCOUNT declines all responsibility for any inaccuracies. Both the information in this document and the product specifications to which it refers are subject to amendment without notice. VISCOUNT does not accept any responsibility with regard to the use or application of the products described in this document. Any references to names, products and companies is for the sole purpose of illustrating the use of the products described herein. Any names, logos and brands referred to belong to their respective owners. All rights reserved; the reproduction of any part of this document, in any form and for any purpose without VISCOUNT's specific written permission is forbidden.