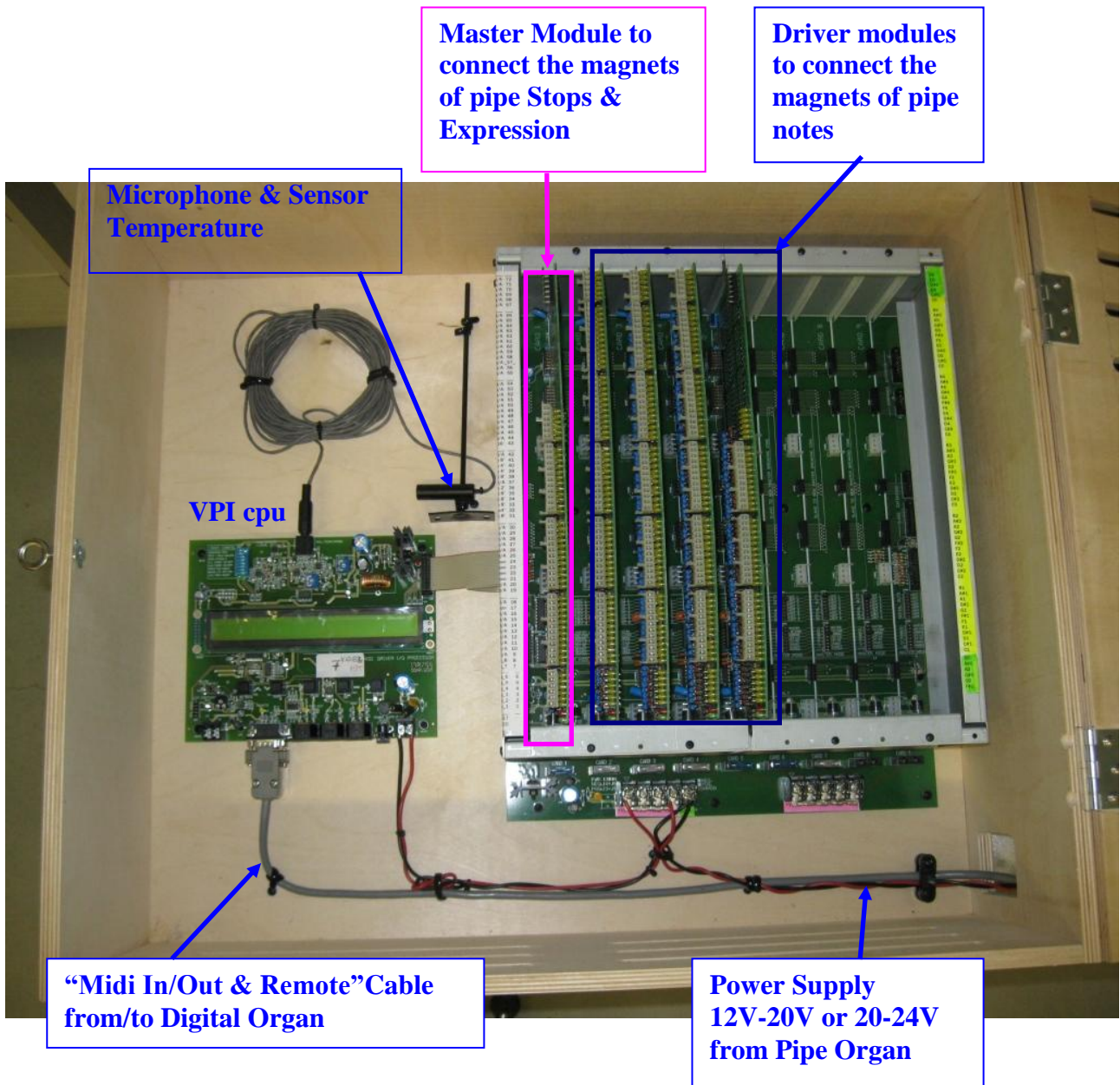


## *VPI : Typical Application*



## *“Microphone & Sensor Temperature” Installation*

Fix the Microphone & Sensor Temperature in front of the mouth of the pipe A3 (440Hz) of the Flauta 8', as shown in the picture.

